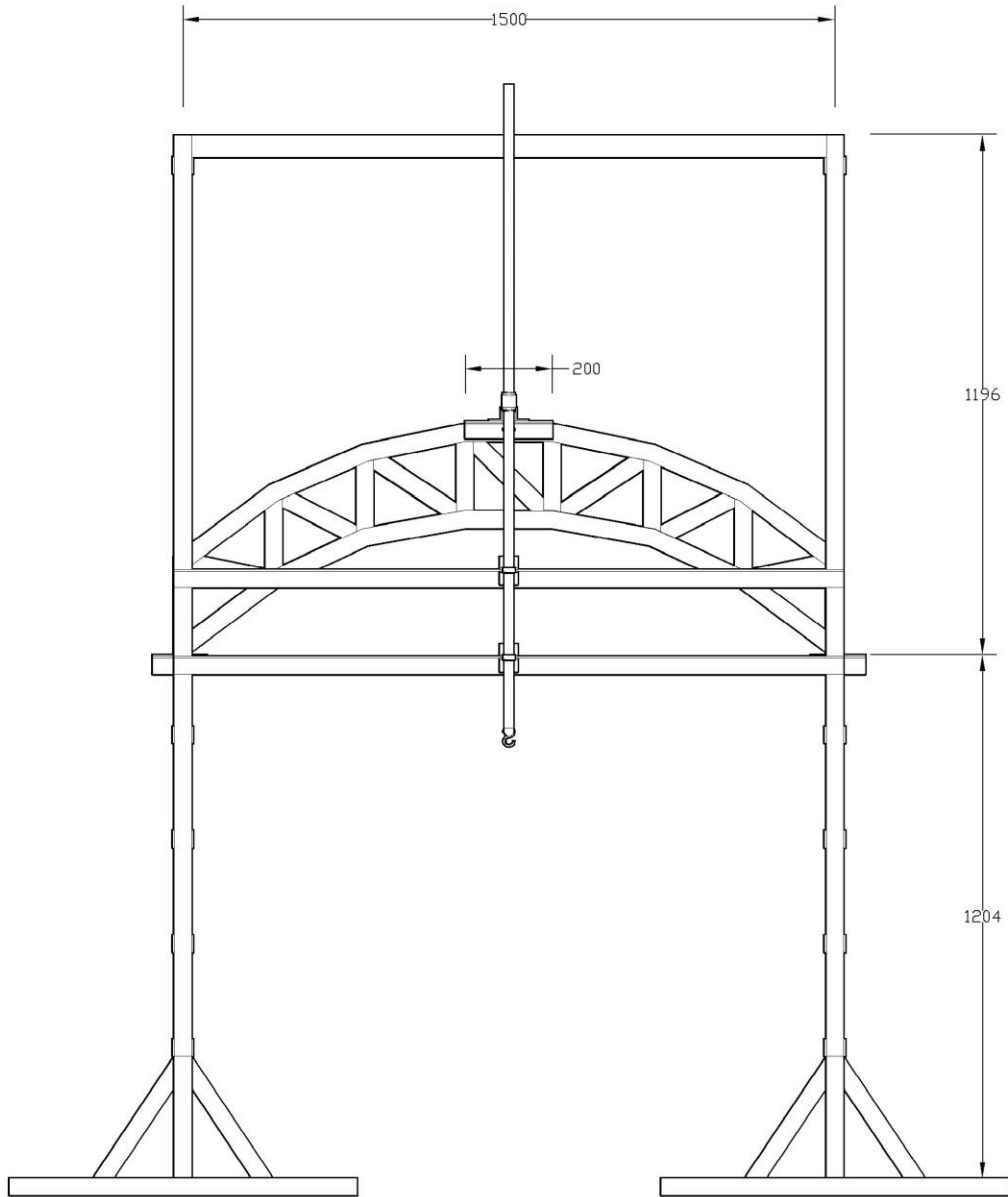




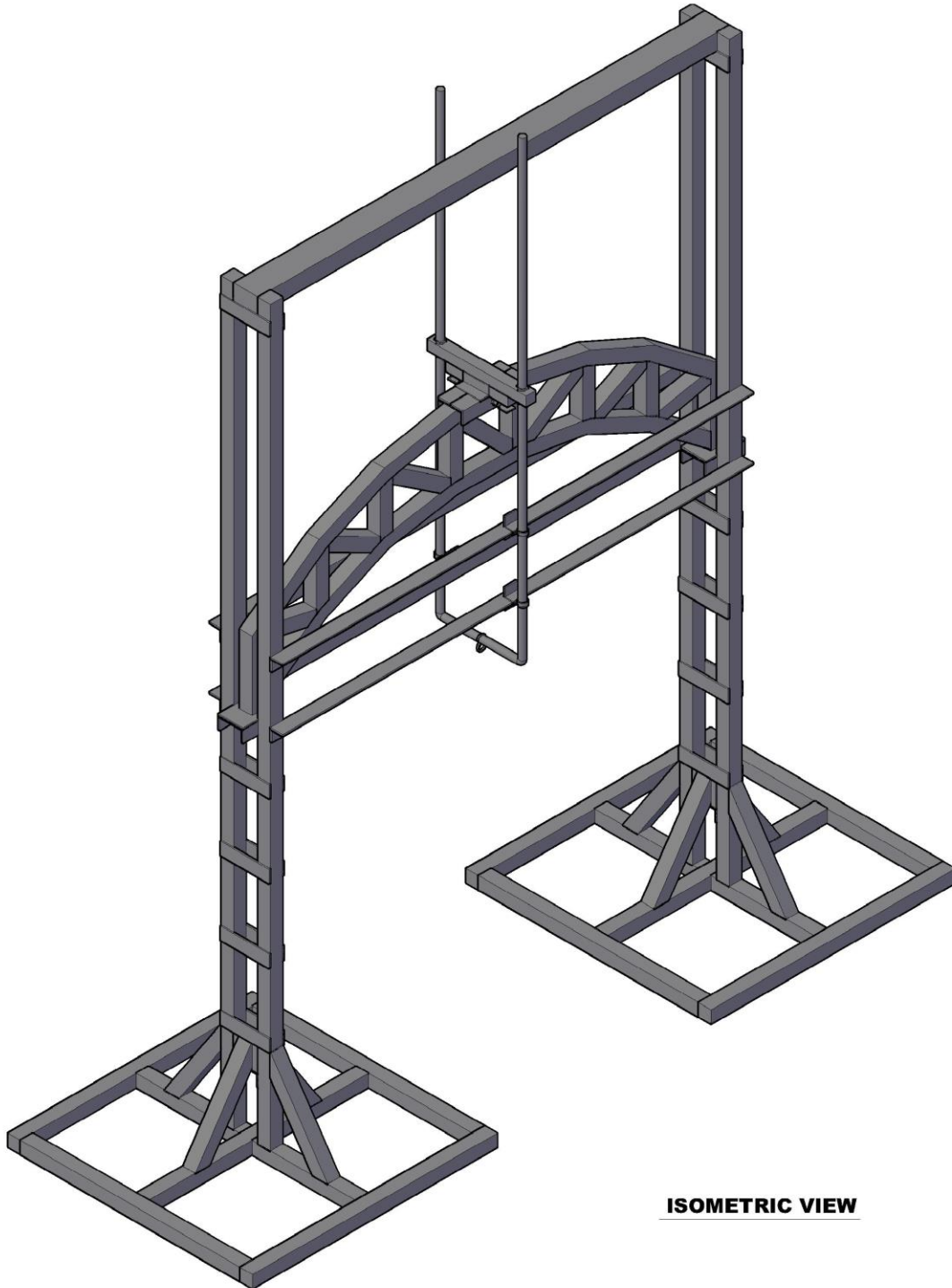
Load Testing Tool



FRONT VIEW
Unit in mm



Load Testing Tool



ISOMETRIC VIEW